

SENSA DMX CONTROLLER KIT

SAP code 96261600

Pre-wired DMX Controller kit for DIN rail mounting

| | |
|----------|----|
| Class II | CE |
|----------|----|



Application

Stand alone DMX Controller kit for the control of LED luminaires, pre-wired and ready for use.

The Sensa DMX Controller uses the DMX 512 protocol to control LED luminaires. The Sensa software enables easy programming of lighting scenarios. Once recorded in the controller, those programmes can be run autonomously without the need for a laptop.

The Controller kit is supplied with all accessories to be mounted on a DIN rail of a cabinet; it can be completed with an adaptor port and a DMX splitter.

Design notes

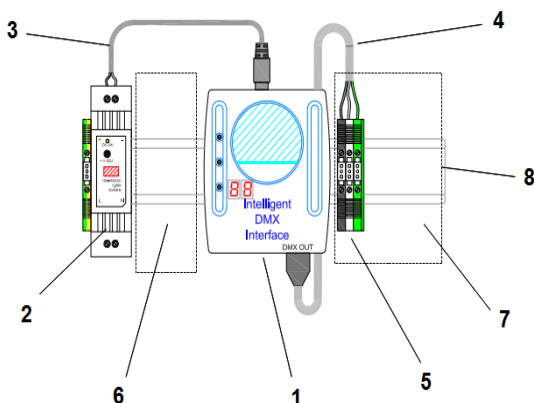
The Sensa DMX Controller kit is supplied complete with the Sensa architectural lighting software CD and USB cable. The software is compatible with Windows XP/Vista/Seven 32/64-bit / 64Ko memory, 512 DMX channels, 255 scenes

The DMX controller is supplied with 8 pre-defined scenarios; it is therefore possible to deploy lighting scenarios without the use of a laptop and commissioning effort. Scenario recall is achieved through:

- selection buttons on the controller itself,
- programming of time period thanks to the internal astronomical clock and calendar
- the use of the Sensa DMX adaptor portx8 (Art. No 96261604) and remote triggers (commuter, relays, etc). Space has been allowed inside the Controller box for the adaptor port.

The use of DMX splitter (Art. No 96261602) between Controller and luminaires is strongly recommended for its preventive protection (lightning upsurge, etc), in addition to the extension potential it provides.

Product features



| | |
|---|---|
| 1 | Stand alone Sensa DMX Controller |
| 2 | SENSA DMX POWER SUPPLY (ref. 96261603) |
| 3 | Power supply connecting cable |
| 4 | DMX connecting cable |
| 5 | DMX output connectors |
| 6 | * SENSa DMX ADAPTOR PORT x8 (ref. 96261604) |
| 7 | * SENSa DMX SPLITTER x4 (ref. 96261602) |
| 8 | DIN rail 35mm (not supplied) |

Supplied with USB cable and Sensa software (CD ROM)

* optional

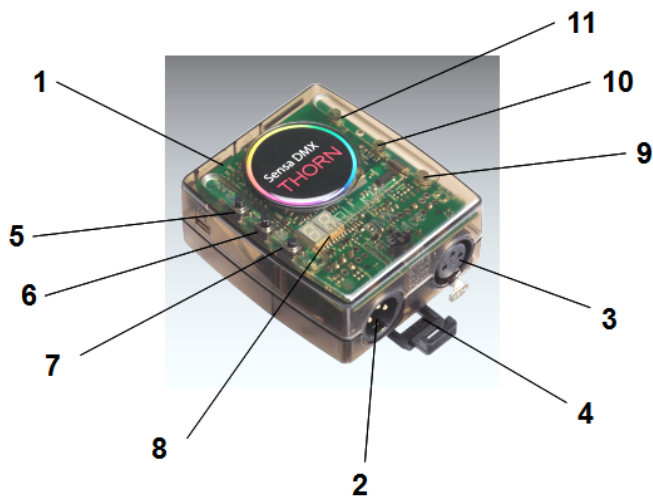
SENSA DMX CONTROLLER KIT

SAP code 96261600

Pre-wired DMX Controller kit for DIN rail mounting

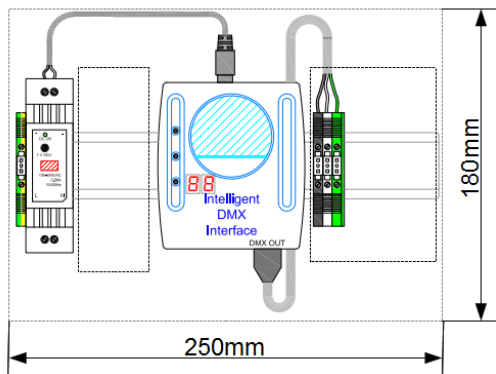
| | |
|----------|----|
| Class II | CE |
|----------|----|

Stand alone DMX Controller



| | |
|----|----------------------------------|
| 1 | 5V DC power supply input |
| 2 | DMX output connector |
| 3 | Not used |
| 4 | DIN rail bracket |
| 5 | + button (scenario display up) |
| 6 | - button (scenario display down) |
| 7 | Dimmer button |
| 8 | Scenario number display |
| 9 | DMX signal display |
| 10 | Power supply display |
| 11 | USB or autonomous mode display |

Technical features



| | |
|-----------------------|--|
| Power supply | 110 / 230 V AC - 50 / 60 Hz |
| Power consumption | 12 W |
| DMX 512 Port | 1 output (if no use of splitter) 4 outputs (with use of splitter, optional) |
| Connections | Screw connectors for cable 2,5 mm ² maxi |
| Dimensions | 250 x 180 x 100 mm |
| Weight | 800 g |
| Operating temperature | 0 to +40 °C |
| Atmosphere humidity | 20 to 80% without condensation |

Default settings

The DMX Controller is supplied with 8 pre-set scenarios. This allows for the validation of the cabling of the installation, as well as the implementation of simple and immediate scenarios without the need for commissioning.

| Scenario number | Scenario |
|-----------------|------------------------|
| 1 | Black |
| 2 | Slow change of colours |
| 3 | Red |
| 4 | Yellow |
| 5 | Green |
| 6 | Cyan |
| 7 | Blue |
| 8 | Magenta |

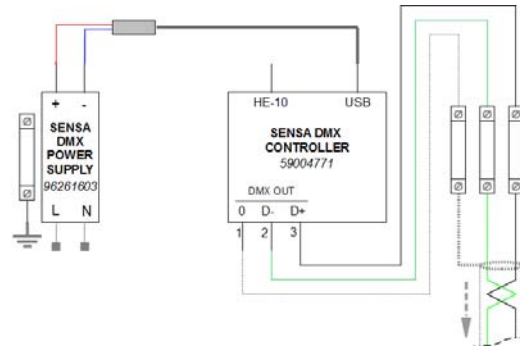
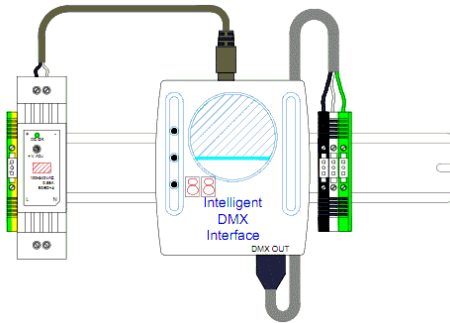
SENSA DMX CONTROLLER KIT

SAP code 96261600

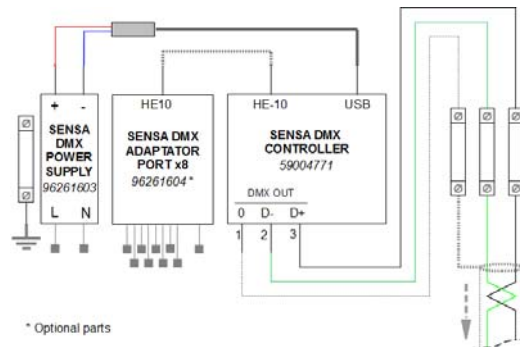
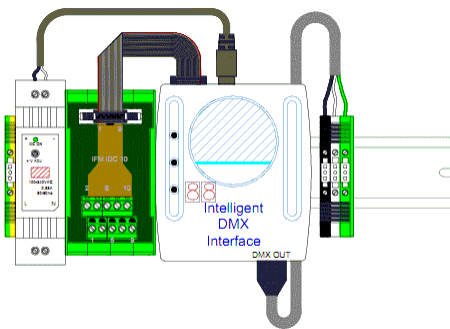
Pre-wired DMX Controller kit for DIN rail mounting

| | |
|----------|----|
| Class II | CE |
|----------|----|

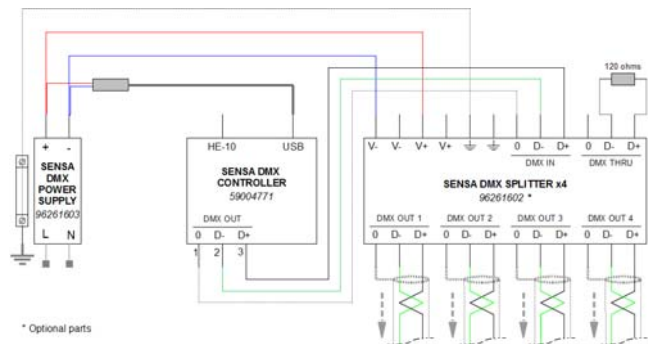
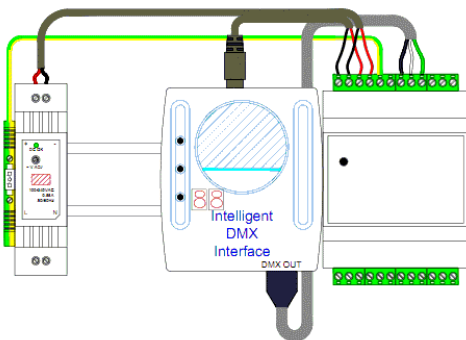
Cabling option 1 : Sensa DMX Controller Kit alone



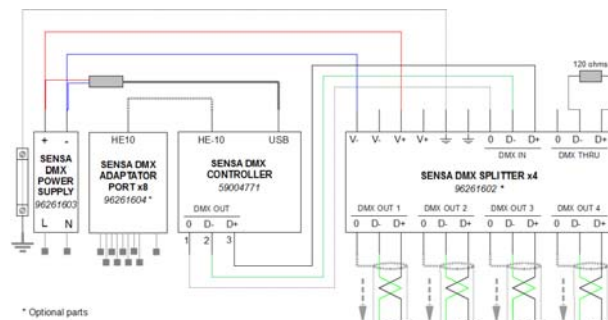
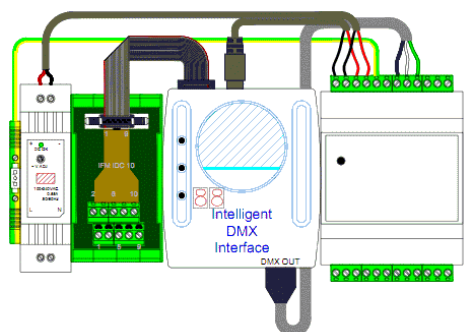
Cabling option 2 : Sensa DMX Controller Kit with Sensa DMX Adaptor Port x8



Cabling option 3 : Sensa DMX Controller Kit with Sensa DMX Splitterx4

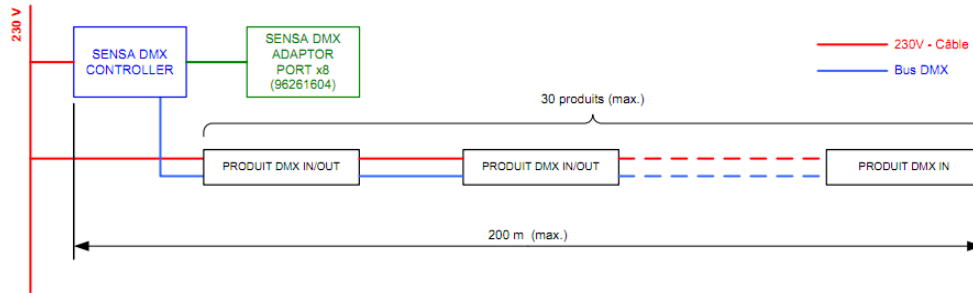


Cabling option 4 : Sensa DMX Controller Box with Sensa DMX Adaptor x8 and Sensa DMX Splitterx4

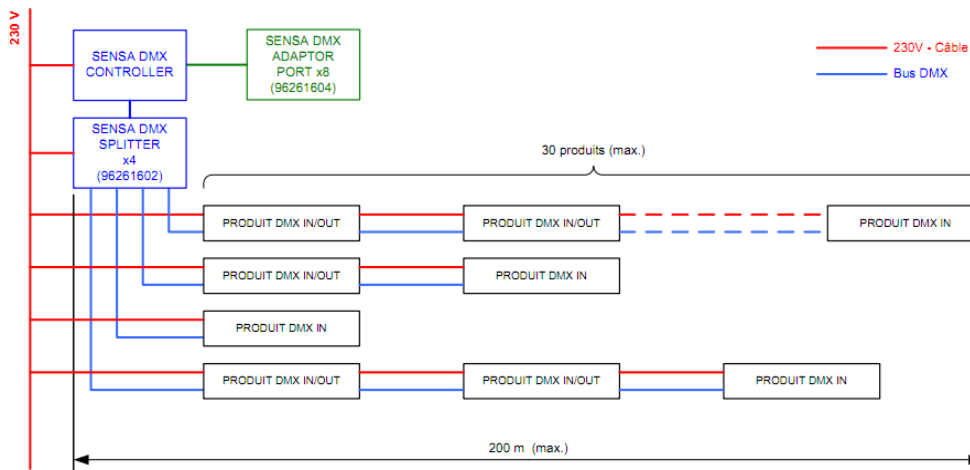


| | |
|----------|----|
| Class II | CE |
|----------|----|

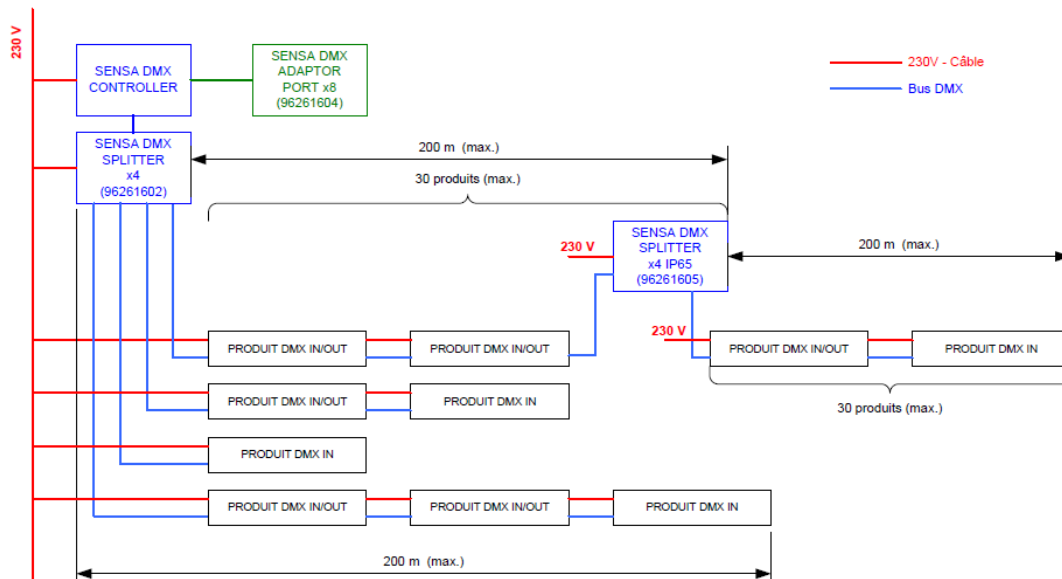
Installation structure option 1 : DMX Controller alone (optional adaptor port shown)



Installation structure option 2 : DMX Controller with splitter (optional adaptor port shown)



Installation structure option 3 : DMX Controller with splitters in cascade (optional adaptor port shown)



SENSA DMX CONTROLLER KIT

SAP code 96261600

Pre-wired DMX Controller kit for DIN rail mounting

| | | |
|----------|----|--|
| Class II | CE | |
|----------|----|--|

Warnings

- Do not place the SENSA DMX CONTROLLER KIT on instable surfaces
- Do not position the SENSA DMX CONTROLLER KIT in places where a risk of walking or tripping on cables may occur
- Protect from direct sun exposure, heating devices, rain, humidity, dust, liquids, magnetic fields
- Operating temperatures: 0°C to +40°C
- Do not use the SENSA DMX CONTROLLER KIT during thunder storm
- Do not connect the SENSA DMX CONTROLLER KIT when it is powered
- Do not use damaged cables or accessories with the SENSA DMX CONTROLLER KIT
- Do not undertake maintenance operations as it may cancel the warranty